

FW2-TRANS- 8/9F

FW2 TRANSCEIVER



INSTALLATION INSTRUCTIONS
P/N 7101937 REV. A

4

Introduction

The FW2-TRANSCEIVER is an advanced product that adds wireless devices support for the "CROW-RUNNER" alarm systems. FW2-TRANSCEIVER includes integrated RF transceiver and an interface with the runner BUS system.

The use of FW2-TRANSCEIVER will enable the user to get back compatibly with CROW 1 way wireless devices together with the supreme 2 way wireless line of devices that uses an advanced

2 way RF transceiver combined with an intelligent communication protocol and a unique 24 bit ID number.

FW2-TRANSCEIVER can be installed in selected runner system case or in an external box while protected by the on boards tamper.

5

Features

- State-of-the-art 2 way wireless.
- FW2 advanced & secured RF protocol.
- Unique ID 24 bit.
- Support the FW devices.
- Low current Technology.
- Frequency Band: 868/ 916 MHz
- Tamper protected.
- LED indications for monitoring device.
- Range up to 500m on open space.
- Terminal connector.
- Learn button.
- Replacing the FW-RCVR-8/9F.

6

Operation

It is most recommended to perform factory default before first operation

- Press and Hold the Learn/Reset Push Button (see Figure 1).
- Connect the bus cable while pressing and holding the Learn/Reset Push Button.
- Continue to hold the Learn/Reset Push Button for several seconds till LED's will finish to flash red & green alternately.
- When the LED's stop flashing remove your finger from the button.
- Then slide device into socket.

For installation of External Transceiver Box and receiving indications form wireless siren - the FW2 Transceiver should be learned as well, please see and perform the following steps:

- Remove the jumper from Tamper Bypass.
- Go to the runner system guide and follow the necessary steps for defining a new FW detector (P122E 1-16E options 1---5--- must be ON.
- Enter to P164E (learn radio device) 16E (zone 16) and start the learning process.
- While the Runner beeps for indicate learning process begin, press and release the Learn/Reset Push Button for one second and notice the changes over the runner system (learning mode finish).

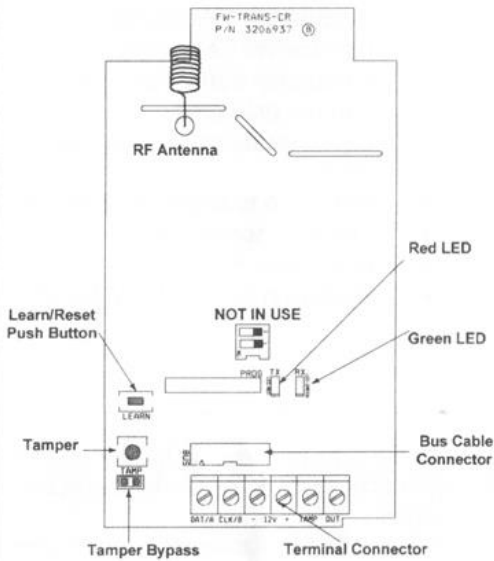
- Make sure to close the tamper on the transceiver after the learning process ends.
- **Notice** that this zone (16) will be used also by the wireless sirens indication (Low Bat, Tamper, and Supervision).

The Learn/Reset Push Button used also for registered siren inside the transceiver. For "How to learn siren" use the siren user manual.

Learning Radio device with the FW2 Transceiver:

Use the Runner learning mode - (NOTE : no changes or pressing on Learn/Reset Push Button on the transceiver is required
Reminder: (P122E - Define the wireless zone, P164E - Learning Mode, press and release the tamper of FW2 device.

Fig. 1 - Circuit Layout



Technical Specifications

Data Protocol	FW and FW2
Modulation Type	GFSK
Frequency	868.35 MHz/ 916.5MHz
Identification	Unique ID serial number – 24 bit
Support:	Runner and Wireless Siren
Range in open space	500m
Voltage In	9-15V DC
Current Consumptions	max 40mA
Transmit power	Max 14dBm
Receive Sensitivity	-110dBm
Tamper Switch	Front Cover Removal
Operating temperature	-10°C + +50°C
Dimensions	99mm x 55mm
Weight:	40 gr.

Compliance with:

- EN300 220-2 V2.3.1:2010
- EN301 489-3:V1.4.1:2002
- EN61000-6-3:2007
- EN501304:1995+A1:1998+A2:2003



CROW ELECTRONIC ENGINEERING LTD.
 12 Kineret St.
 Airport City, 70100 Israel
 Tel. +972 3 9726000
 Fax. +972 3 9726001
sales@crow.co.il
support@crow.co.il
www.thecrowgroup.com

CROW LATIN AMERICA USA INC.
 7200 NW 19 st.
 Suite 307
 Miami FI 33126, USA
 Tel. +305 513 4001
 Fax. +305 513 4005
rejane@crowlatinamerica.com
www.crowlatinamerica.com

ARROWHEAD ALARM PRODUCTS
 344B, Rosedale Road
 Park Farm Industrial Estate
 Albany, Auckland
 New Zealand
 Tel. +64 9 414 0085
 Fax. +64 9 414 0088
www.aap.co.nz

**These instructions supersede all
 previous
 issues in circulation prior to July 2013.**